

AI-171E lever

ball valve with extension stem



altecnic

AI-171E intaball lever ball valve with extension stem

Application

The Altecnic Intaball lever ball valve with extension stem and threaded ends is the ideal isolation valve, for use in steel pipe systems and with threaded adaptors for a variety of other pipe materials.

The valves are ideal for use on potable water and domestic hot and cold water services and for providing isolation on many other applications including chilled water, air and non corrosive liquids. The extension stem allows the valve to be lagged up to the lever.

Design

The Intaball full bore brass ball valves are lever operated through 90°, with bi-directional flow.

Hard chrome plated ball for increased wear resistance.

Compact design, with PTFE body seats for reliable isolation.

Anti blow-out stem.

Supplied with parallel threaded ends complying with BS EN ISO 228-1

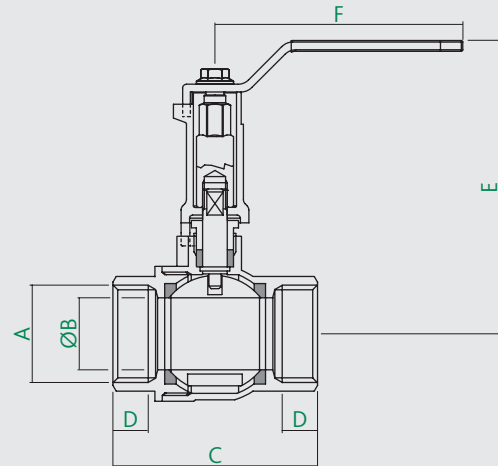
Valve are available with either a red or blue lever sleeve for visual indication of hot or cold service.

Construction Details

Component	Material	Grade
Body	Brass - nickel plated	BS EN 12165 CW617N
End connection	Brass - nickel plated	BS EN 12165 CW617N
Ball seat	PTFE	
Ball	Brass - chrome plated	BS EN 12164 CW617N
Stem	Brass	BS EN 12164 CW617N
Stem retaining ring	Brass	BS EN 12164 CW617N
Stem seals	PTFE	
Extension stem	Brass	BS EN 12164 CW617N

Ref No	Ref No	Size	Connections
Blue Lever	Red Lever		
AI-171B02E	AI-171R02E	¼"	f x f screwed iron
AI-171B03E	AI-171R03E	⅜"	f x f screwed iron
AI-171B04E	AI-171R04E	½"	f x f screwed iron
AI-171B05E	AI-171R05E	¾"	f x f screwed iron
AI-171B06E	AI-171R06E	1"	f x f screwed iron
AI-171B07E	AI-171R07E	1¼"	f x f screwed iron
AI-171B08E	AI-171R08E	1½"	f x f screwed iron
AI-171B09E	AI-171R09E	2"	f x f screwed iron

Dimensions

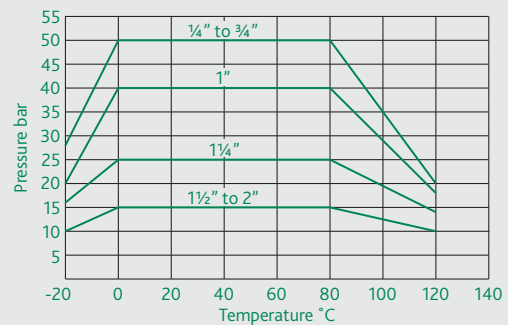


Size	A	B	C	D	E	F	kg
¼"	G ¼	10	41.5	9.5	84	90	
⅜"	G ⅜	10	41.5	9.5	84	90	
½"	G ½	15	50.5	10.5	86.5	90	
¾"	G ¾	20	61	12	90	90	
1"	G 1	25	71	13.5	103	115	
1¼"	G 1¼	32	83.5	15.5	113	130	
1½"	G 1½	40	93	15.5	119	130	
2"	G 2	50	112	19	132	150	

Technical Specification

Conforms to:	BS EN 13959
Max. Temperature:	120°C
Max. Pressure	Sizes ¼" to ¾": 50 bar
	Size 1": 40 bar
	Size 1¼": 25 bar
	Sizes 1½" & 2": 15 bar
PED directive classification Group 2	

Pressure - Temperature Diagram



© Patents & Design Altecnic 2021

Altecnic Ltd retains all rights (including patents, designs and copyrights, trademarks and any other intellectual property rights) in relation to all information provided on or via the website, brochures or any other documents, including all texts, graphics and logos, contained on the website, in brochures or in any other documents published in the name of or on behalf of Altecnic Ltd in any form, without prior written consent of Altecnic Ltd.

Altecnic Ltd Mustang Drive, Stafford, Staffordshire ST16 1GW

T: +44 (0)1785 218200 E: sales@altecnic.co.uk

Registered in England No: 02095101

altecnic.co.uk

AL 414 18-05-21

E & O.E

© Altecnic Limited. 2021

ALTECNIC™

altecnic