

105-300 Square

polished radiator valves



altecnic

105-300 Square polished radiator valves



Design

The Altecnic square polished radiator valves are of durable construction giving dependable performance on domestic applications and in particular in bath and shower rooms.

Their smooth polished chrome finish and easy clean design makes them ideally suitable for use with towel rails and radiators in bath and shower rooms.

The polished chrome finish compliments white, chrome and other modern coloured towel rails and radiators.

The valves can also be used to provide isolation and regulation on radiators in other rooms with a more stylistic modern decor.

The inlet connection to both valves is 15 mm compression to BS EN 1254, for use with half hard R250 copper tube to BS EN 1057, and the outlet connection is a union tailpipe with ½" external pipe thread to BS EN ISO 228.

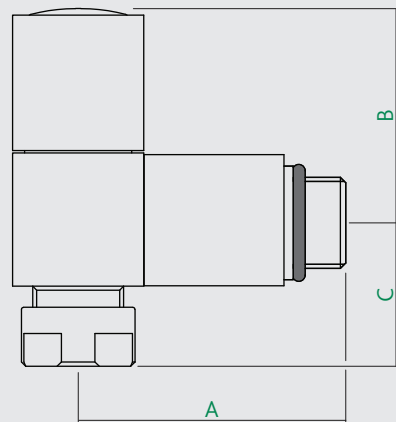
Materials of Construction

Body	Brass	BS EN 12164 CW617N
Union nut	Brass	BS EN 12164 CW617N
Tailpiece	Brass	BS EN 12164 CW614N
Olive	Brass	BS EN 12164 CW617N
Seals - 'O' rings	EPDM	
Disk facing	EPDM	
Body finish	Chrome Plated	

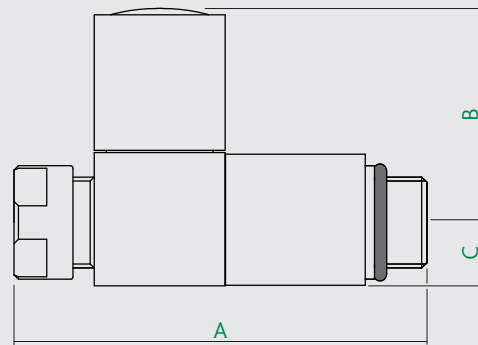
Prod Code	Description
105-3003	15 mm x ½" square angled
105-3002	15 mm x ½" square straight

Supplied as a pair of wheelhead valves.

Dimensions



Prod Code	A	B	C
105-3003	61	49	33



Prod Code	A	B	C
105-3002	95	49	14.5

Technical Specification

Max. working pressure (static):	10 bar
Max. temperature:	100 °C
Medium:	water, glycol solution
Max percentage of glycol:	30%

© Patents & Design Altecnic 2019

Altecnic Ltd retains all rights (including patents, designs and copyrights, trademarks and any other intellectual property rights) in relation to all information provided on or via the website, brochures or any other documents, including all texts, graphics and logos, contained on the website, in brochures or in any other documents published in the name of or on behalf of Altecnic Ltd in any form, without prior written consent of Altecnic Ltd.

Altecnic Ltd Mustang Drive, Stafford, Staffordshire ST16 1GW

T: +44 (0)1785 218200 E: sales@altecnic.co.uk

Registered in England No: 2095101

altecnic.co.uk

AL 346 20-08-19

E & O.E

© Altecnic Limited. 2019

ALTECNIC™