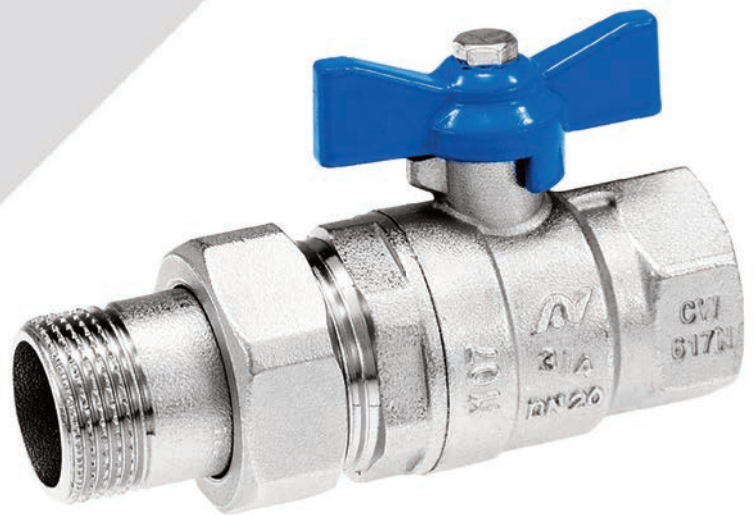


124-320

union ball valves



altecnic

124-320 union ball valve - f x m threaded ends



Application

The Altecnic union ball valve with female x male threaded ends is the ideal isolation valve, for use in steel pipe systems and with threaded adaptors for a variety of other pipe materials.

Suitable for isolating individual outlets, or providing isolation for 'Y' strainers or control valves, should maintenance be required.

In larger systems they can provide isolation on heating, the primary side of hot and cold water services and many industrial applications including air and non corrosive liquids.

Design

The brass ball valves are lever operated through 90°, with bi-directional flow.

Sizes ½" to 1½" are full bore and the 2" size is reduced bore.

Hard chrome plated ball for increased wear resistance.

Compact design, with PTFE body seats for reliable isolation.

Anti blow-out stem.

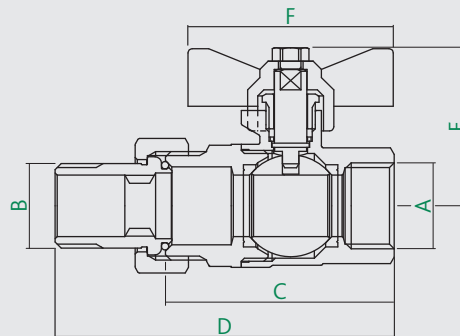
Supplied with parallel threaded ends complying with BS EN ISO 228-1

Valves have a red butterfly lever except for the 2" size which has a reversible lever handle.

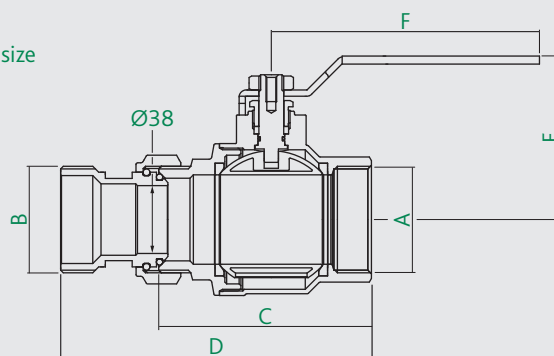
Construction Details

Component	Material	Grade
Body	Brass - nickel plated	BS EN 12165 CW617N
End connection	Brass - nickel plated	BS EN 12165 CW617N
Ball seat	PTFE	
Ball	Brass - chrome plated Bronze - chrome plated	BS EN 12164 CW617N BS EN 1982
Stem	Brass	BS EN 12164 CW617N
Gland packing	PTFE	
Union nut	Brass - nickel plated	BS EN 12165 CW617N
Tail pipe	Brass - nickel plated	BS EN 12165 CW617N

Dimensions



2" size



Ref No	A	B	C	D	E	F	kg
124-3200	G½	G½B	56	82.5	38	50	0.244
124-3201	G¾	G¾B	67	98	42	50	0.392
124-3202	G1	G1B	79	113	53	60	0.680
124-3203	G1¼	G1¼B	90.5	129	66	65	1.050
124-3204	G1½	G1½B	107	150	72	65	1.460
124-3205	G2	G2B	119	174	91.5	150	2.268

Technical Data

Conforms to:	BS EN 13547
Max. Temperature:	100°C
Max. Pressure:	16 bar
WRAS Approved Product	
PED directive classification Group 2 Liquids	
Sizes ½" to 2" SEP	
Connections F x M screwed to:	BS EN ISO 228-1

Installation

The valves are very simple to install with just two joints to make.

© Patents & Design Altecnic 2020

Altecnic Ltd retains all rights (including patents, designs and copyrights, trademarks and any other intellectual property rights) in relation to all information provided on or via the website, brochures or any other documents, including all texts, graphics and logos, contained on the website, in brochures or in any other documents published in the name of or on behalf of Altecnic Ltd in any form, without prior written consent of Altecnic Ltd.

Altecnic Ltd Mustang Drive, Stafford, Staffordshire ST16 1GW

T: +44 (0)1785 218200 E: sales@altecnic.co.uk

Registered in England No: 2095101

altecnic.co.uk

AL 370 24-08-20

E & O.E

© Altecnic Limited. 2020

ALTECNIC™