

# 124-501 T Port

3-way ball valve



altecnic

# 124-501 T Port 3-way ball valve



## Application

The Altecnic 3-way reduced bore ball valves will divert the flow to one, two or both outlet ports.

The ball has a 'T' port configuration and depending upon the flow direction will cause the flow to divert from one outlet port to the other.

Depending the flow direction the valve will also isolate and stop the flow of liquid.

The valve can be used in industrial applications, water distribution and heating systems to divert water to where it is required.

## Design

3 port body with 'T' port plug

Adjustable gland with primary 'O' ring seal

The inlet and direction of flow can be any of the 3 ports

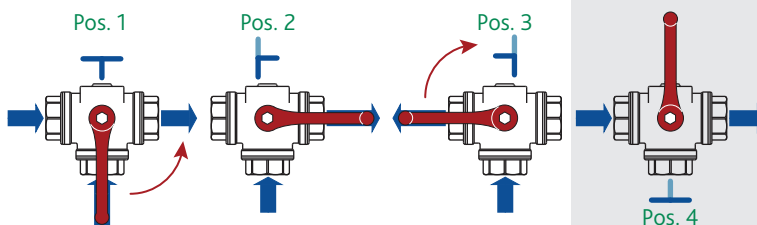
Aluminium lever with stricted rotation

Supplied with female parallel threaded ends complying with BS EN ISO 228-1.

## Construction Details

Component	Material	Grade
Body	Brass - nickel plated	BS EN 12420 CW617N
End connection	Brass - nickel plated	BS EN 12420 CW617N
Ball	Brass - chrome plated	BS EN 12164 CW614N
Ball seat	PTFE	
Stem	Brass	BS EN 12164 CW614N
Gland packing	PTFE	
Stem retaining ring	Brass	BS EN 12164 CW614N
Seals	FPM Fluoroelastomer	
Lever	Aluminium	BS EN 1011-DD13

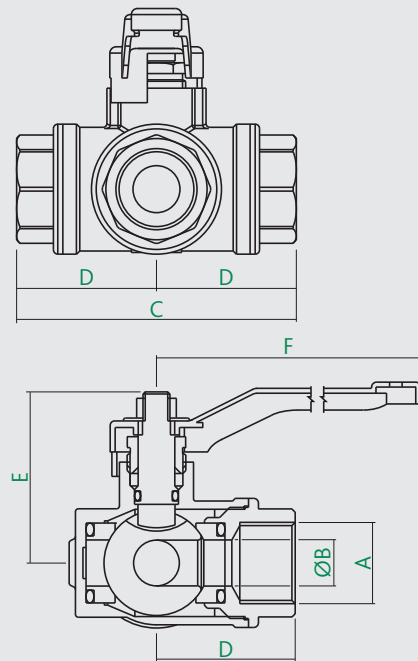
## Lever Position and Port Configuration



To achieve positions 3 and 4, remove the lever from the stem and rotate 90° to the left before re-fitting.

The flow can be in the opposite direction to that illustrated.

## Dimensions



Prod Code	A	B*	C	D	E	F
124-5010 CST	G¼	10	76	38	52	115
124-5011 CST	G¾	10	76	38	52	115
124-5012 CST	G½	10	82	41	52	115
124-5013 CST	G¾	15	90	45	55.5	115
124-5014 CST	G1	20	106	53	64	150
124-5015 CST	G1¼	25	120	60	76.5	150
124-5016 CST	G1½	32	142	71	93.5	240
124-5017 CST	G2	40	165	82.5	103.5	240
124-5018 CST	G2½	40	194	97	124	240

\* exceeds the full bore diameter circle specified in BS EN 13547.

## Technical Specification

Maximum Temperature:	100 °C
Minimum Temperature:	-10 °C
Maximum Pressure:	40 bar

© Patents & Design Altecnic 2019

Altecnic Ltd retains all rights (including patents, designs and copyrights, trademarks and any other intellectual property rights) in relation to all information provided on or via the website, brochures or any other documents, including all texts, graphics and logos, contained on the website, in brochures or in any other documents published in the name of or on behalf of Altecnic Ltd in any form, without prior written consent of Altecnic Ltd.

Altecnic Ltd Mustang Drive, Stafford, Staffordshire ST16 1GW

T: +44 (0)1785 218200 E: sales@altecnic.co.uk

Registered in England No: 2095101

altecnic.co.uk

AL 343 29-07-19

E & O.E

© Altecnic Limited. 2019

ALTECNIC™