

133-5021

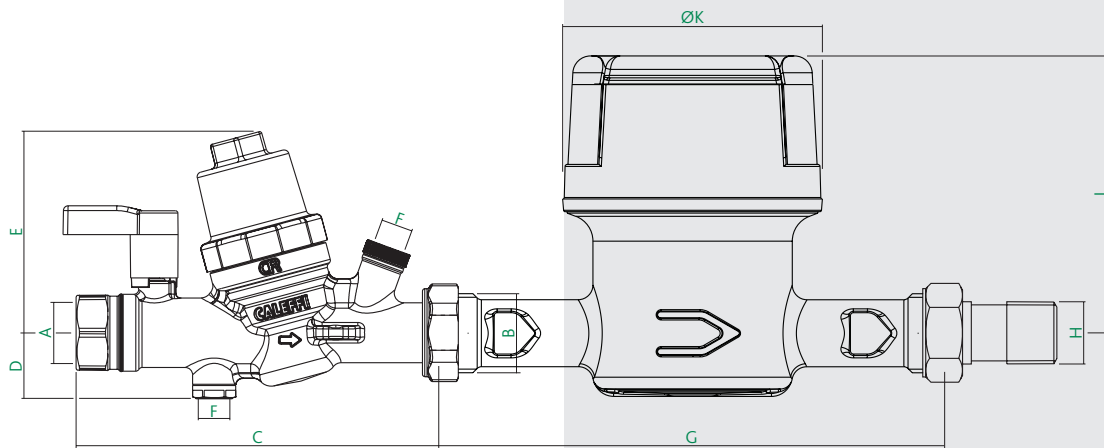
apartment control assembly



altecnic
CALEFFI group

133-5021 apartment control assembly

Dimensions



Ref No	A	B	C	D	E	F	G	H	J	K	kg
133-5021	Rp $\frac{3}{4}$	G1	151.2	24.5	83.7	G $\frac{1}{4}$	190	G $\frac{3}{4}$	123	88	

The Altecnic 133-5021 apartment control assembly combines several functions into a monobloc body with a water meter for use in multi-unit buildings.

Design

The Altecnic apartment control assembly consists of a ball isolating valve, pressure reducing valve, single check valve, port for a pressure gauge, test port, threaded inlet connection, swivel outlet connection and a water meter.

The pressure reducing valve assembly is a WRAS approved product (the water meter is not WRAS approved).

A bespoke moulded insulation shell to minimise heat loss or on cold water applications heat gain and a pressure gauge are available.

The pressure reducing valve is factory set at 3 bar but is adjustable between 1 to 5.5 bar.

The test port is suitable for use with a pressure gauge or for a temperature probe.

The Altecnic apartment control assembly is supplied with a water meter, see below.

Product Range

Ref No	Description
133-5021	apartment control assembly c/w Class D water meter

Accessories

CBN539050	insulation shell
557010	pressure gauge 1-10 bar, $\frac{1}{4}$ BSP back fitting, 40 dial

Technical Specification - Pressure Reducing Valve Assembly

Max. pressure:	16 bar
Max. temperature:	80°C
Pressure adjustment range:	1 to 5.5 bar
Factory set pressure:	3 bar
Pressure gauge range:	0 to 10 bar
Strainer mesh size:	0.51 mm
Test ports:	G $\frac{1}{4}$

Construction Details

Component	Material	Grade	
Body	DZR		BS EN 12165 CW724R
Ball Valve			
Ball	DZR		BS EN 12165 CW724R
Ball seat	PTFE		
Stem	DZR		BS EN 12164 CW724R
Stem seals	EPDM		
Lever	Nylon		PA6G30
Pressure Reducing Valve			
Inner cover	Nylon		PA66GF30
Outer cover	Nylon		PA66GF30
Control stem	Stainless Steel		BS EN 10088-3
Cartridge	Polymer		PPSG40
Spring	Steel		BS EN 10270-1
Internal components	Polymer		PSU
Diaphragm	EPDM		
Seals	EPDM		
Strainer screen	Stainless steel		BS EN 10088-3
Check Valve			
Designation			family E, type A
Minimum opening pressure			0.5 kPa
In accordance with			BS EN 13959
Cartridge			Polypropylene
Insulation			
Material			EPP
Density			40 kg/m ³
Working temperature range			-5 to 80°C

133-5021 apartment control assembly

Water Meters

Design

The Altecnic class D water meter for hot and cold water applications offers a dependable and accurate reading of water consumption and is ideally suited for use in domestic premises and small commercial buildings.

The Altecnic class D is a volumetric water meter with piston principle combined with an extra dry register. No parts of the register are in contact with the water flow.

The meter is not sensitive to magnetic fields reducing the risk of tampering.

The white dials with black numerals and red indicators makes reading easier, even when light conditions are poor.

Technical Specification

MID approved according to European Directive 2014/32EU

	Size		¾"
Q3 / Q1	MID accuracy ratio - all positions		63/400
	MID type approval number		LNE 16467
Q3	Continuous flow rate	m ³ /hr	4
Q3 / Q1	Standard production ratio	160	2.5
Q4	Max. flow rate for short periods	m ³ /hr	5
Q2	Transitional flow rate	l/h	40
Q1	Min. flow rate	l/h	25
ΔP	Pressure loss class at Q3	bar	0.63
MAP	Operating pressure	bar	16
	Operating temperature	°C	0.1 to 50
	Climatic conditions	°C	5 to 55
	Indicator range	m ³	99999.99
	Typical starting flow rate	l/h	2
	Accuracy ±5%	l/h	5
	Accuracy ±2%	l/h	8
	Max. accidental water temperature	°C	60(<1h/week)

Accessories

Insulation Shell



Pressure Gauge



© Patents & Design Altecnic 2022

Altecnic Ltd retains all rights (including patents, designs and copyrights, trademarks and any other intellectual property rights) in relation to all information provided on or via the website, brochures or any other documents, including all texts, graphics and logos, contained on the website, in brochures or in any other documents published in the name of or on behalf of Altecnic Ltd in any form, without prior written consent of Altecnic Ltd.

Altecnic Ltd Mustang Drive, Stafford, Staffordshire ST16 1GW

T: +44 (0)1785 218200 E: sales@altecnic.co.uk

Registered in England No: 02095101

altecnic.co.uk

AL 447 19-01-2022

E & O.E

© Altecnic Limited. 2022

ALTECNIC™

altecnic
CALEFFI group