

# AI-171BE

ball valve with butterfly handle  
with extension stem



altecnic

# AI-171BE ball valve with butterfly handle and extension stem

## Application

The Altecnic Intaball ball valves with butterfly handle, extension stem and female threaded ends are the ideal isolation valve, for use in copper pipe systems.

The extension stem allows the valve to be lagged up to the handle.

The valves are suitable for use on potable water and domestic hot and cold water services and for providing isolation on many other applications including chilled water, air and non corrosive liquids.

Suitable for isolating individual outlets, or providing isolation for 'Y' strainers or control valves, should maintenance be required.

The butterfly handle is ideal for use where space is restricted.

## Design

The Altecnic AI-171B full bore brass ball valves with butterfly handle are operated through 90°, with bi-directional flow.

Hard chrome plated ball for increased wear resistance.

Compact design, with PTFE body seats for reliable isolation.

Anti blow-out stem.

Supplied with parallel threaded ends complying with BS EN ISO 228-1

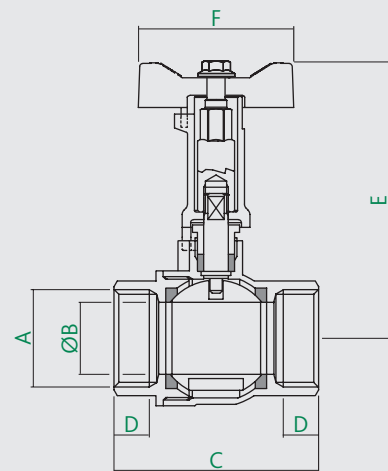
Valve are available with either a red or blue lever sleeve for visual indication of hot or cold service.

## Construction Details

Component	Material	Grade
Body	Brass - nickel plated	BS EN 12165 CW617N
End connection	Brass - nickel plated	BS EN 12165 CW617N
Ball seat	PTFE	
Ball	Brass - chrome plated	BS EN 12164 CW617N
Stem	Brass	BS EN 12164 CW617N
Stem retaining ring	Brass	BS EN 12164 CW617N
Stem seals	PTFE	
Extension stem	Brass - nickel plated	BS EN 12164 CW617N
Butterfly handle	Aluminium	

Ref No	Ref No	Size	Connections
Blue Lever	Red Lever		
AI-171BB4E	AI-171RB4E	1/2"	f x f screwed iron
AI-171BB5E	AI-171RB5E	3/4"	f x f screwed iron

## Dimensions

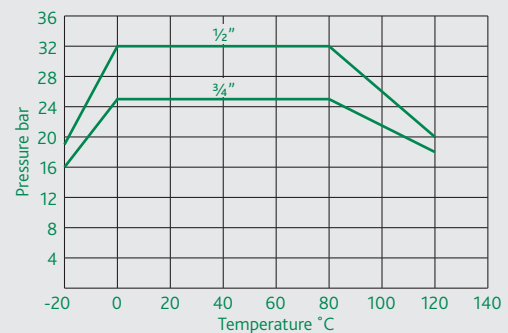


Size	A	B	C	D	E	F	kg
DN15	G 1/2	13.5	50.5	10.5	76.5	50	
DN20	G 3/4	18	61	12	79	50	

## Technical Specification

Conforms to:		BS EN 13959
Max. pressure	Size 1/2":	32 bar
	Size 3/4":	25 bar
Max. temperature:		120°C
WRAS approved product		
PED Directive classification	Group 2 Liquids	SEP

## Pressure - Temperature Diagram



## Installation

The valves are easy to install with just two joints to make.

© Patents & Design Altecnic 2021

Altecnic Ltd retains all rights (including patents, designs and copyrights, trademarks and any other intellectual property rights) in relation to all information provided on or via the website, brochures or any other documents, including all texts, graphics and logos, contained on the website, in brochures or in any other documents published in the name of or on behalf of Altecnic Ltd in any form, without prior written consent of Altecnic Ltd.

Altecnic Ltd Mustang Drive, Stafford, Staffordshire ST16 1GW

T: +44 (0)1785 218200 E: sales@altecnic.co.uk

Registered in England No: 02095101

altecnic.co.uk

AL 420 21-05-21

E & O.E

© Altecnic Limited. 2021

ALTECNIC™

altecnic