

AI-331YE

ball valve with butterfly lever,
extension stem and
compression ends

**UK
CA**
0086

CE
2797



altecnic

AI-331YE ball valve with butterfly lever, extension stem and comp ends

Application

The Altecnic Intaball ball valve with butterfly handle, extension stem for gas service and compression ends is the ideal isolation valve, for use in copper pipe systems.

Suitable for isolating individual outlets, or providing isolation around gas meters and other equipment, should maintenance be required. The extension stem allows the valve to be lagged up to the lever.

Design

The Intaball full bore brass ball valves for gas have butterfly handles and operated through 90°, with bi-directional flow.

Hard chrome plated ball for increased wear resistance.

Compact design, with PTFE body seats for reliable isolation.

Anti blow-out stem.

The valves are designed for high flow rates with minimum pressure drops.

Supplied with compression ends complying with BS EN 1252-2 for use with R250 (half hard) copper tube.

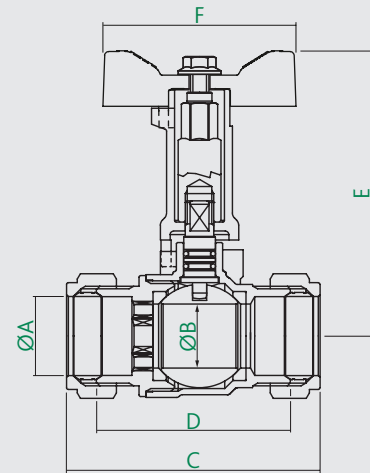
Valve are supplied with a yellow lever sleeve for visual indication of gas service.

Construction Details

Component	Material	Grade
Body	Brass - nickel plated	BS EN 12165 CW617N
End connection	Brass - nickel plated	BS EN 12165 CW617N
Ball seat	PTFE	
Ball	Brass - chrome plated	BS EN 12164 CW617N
Stem	Brass	BS EN 12164 CW617N
Gland 'O' ring	Viton rubber	
Compression nut	Brass	BS EN 12164 CW617N
Olive	Brass	BS EN 12149 CW508LM
Extension stem	Brass	BS EN 12164 CW617N
Butterfly Lever	Aluminium	

Ref No	Size	Connections
AI-3331Y15E	15mm	comp. x comp
AI-3331Y22E	22mm	comp. x comp
AI-3331Y28E	28mm	comp. x comp

Dimensions

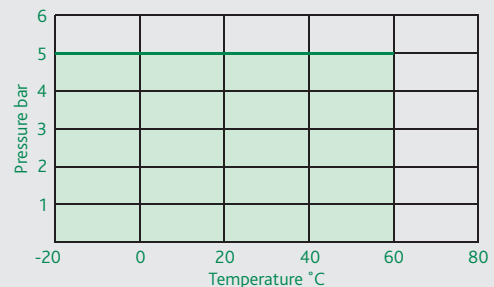


Size	A	B	C	D	E	F
DN15	15	13.5	63	45.6	80	50
DN20	22	18	71	54.5	82	50
DN25	28	23.5	82	64.5	92	66

Technical Specification

Conforms to:	BS EN 13547
Approved to:	BS EN 331:2015
Temperature range to BS EN 331:2015	-20 to 60°C
Max. pressure:	5 bar (MOP 5)
PED directive classification	Group 1 Gas SEP
Approved for gas families:	1, 2 and 3

Pressure - Temperature Diagram



Installation

The valves are easy to install with just two compression joints to make but must be installed by a suitably qualified engineer.

For gas service ensure a valve with a yellow lever sleeve is fitted

© Patents & Design Altecnic 2021

Altecnic Ltd retains all rights (including patents, designs and copyrights, trademarks and any other intellectual property rights) in relation to all information provided on or via the website, brochures or any other documents, including all texts, graphics and logos, contained on the website, in brochures or in any other documents published in the name of or on behalf of Altecnic Ltd in any form, without prior written consent of Altecnic Ltd.

Altecnic Ltd Mustang Drive, Stafford, Staffordshire ST16 1GW

T: +44 (0)1785 218200 E: sales@altecnic.co.uk

Registered in England No: 02095101

altecnic.co.uk

AL 422 07-07-21

E & O.E

© Altecnic Limited. 2021

ALTECNIC™

altecnic