

AI-373BE

ball valve with butterfly handle
extension stem and
compression ends



altecnic

AI-373BE ball valve with extension stem and compression ends

Application

The Altecnic Intaball butterfly handle ball valves with extension stem and compression ends are the ideal isolation valve, for use in copper pipe systems.

The extension stem allows the valve to be lagged up to the lever.

Suitable for isolating individual outlets, or providing isolation for 'Y' strainers or control valves, should maintenance be required.

In larger systems they can provide isolation on heating, cold water and on the primary side of HWS services, on zones, braches or floors.

The butterfly handle is ideal for use where space is restricted.

Design

The Altecnic AI-373BE full bore brass ball valves are butterfly handle operated through 90°, with bi-directional flow.

Hard chrome plated ball for increased wear resistance.

Anti blow-out stem.

Supplied with compression ends complying with BS EN 1252-2 for use with R250 (half hard) copper tube.

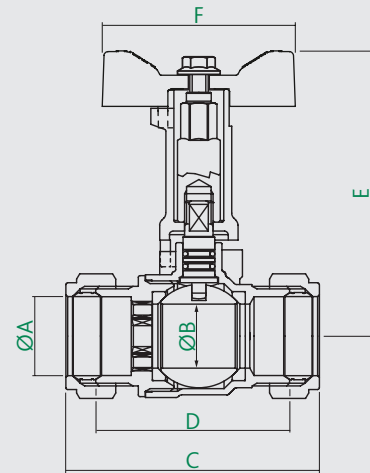
Valve are available with either a red or blue butterfly handle for visual indication of hot or cold service.

Construction Details

Component	Material	Grade
Body	Brass - nickel plated	BS EN 12165 CW617N
End connection	Brass - nickel plated	BS EN 12165 CW617N
Ball seat	PTFE	
Ball	Brass - chrome plated	BS EN 12164 CW617N
Stem	Brass	BS EN 12164 CW617N
Stem seals	Nitrile rubber	
Olive	Brass	BS EN 12449 CW508 LM
Compression nut	Brass	BS EN 12165 CW617N
Extension stem	Brass	BS EN 12164 CW617N
Butterfly handle	Aluminium	

Ref No	Ref No	Size	Connections
Blue Lever	Red Lever		
AI-373115E	AI-373115E	15mm	comp. x comp
AI-373222E	AI-373222E	22mm	comp. x comp
AI-373228E	AI-373228E	28mm	comp. x comp

Dimensions

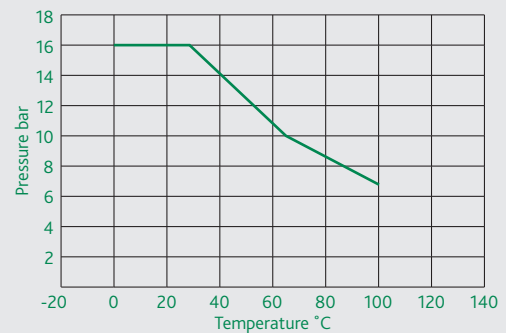


Size	A	B	C	D	E	F	kg
DN15	15	13.5	63	45.6	80	50	
DN20	22	18	71	54.5	82	50	
DN25	28	23.5	82	64.5	92	65	

Technical Specification

Conforms to:	BS EN 13959
Pressure / Temperature Rating:	BS EN 1254-2
Max. Temperature at 16 bar:	30°C
Max. Temperature at 10 bar:	65°C
Max. Temperature at 6.9 bar:	100°C
WRAS approved product	
PED Directive classification Group 2 Liquids	SEP

Pressure - Temperature Diagram



© Patents & Design Altecnic 2021

Altecnic Ltd retains all rights (including patents, designs and copyrights, trademarks and any other intellectual property rights) in relation to all information provided on or via the website, brochures or any other documents, including all texts, graphics and logos, contained on the website, in brochures or in any other documents published in the name of or on behalf of Altecnic Ltd in any form, without prior written consent of Altecnic Ltd.

Altecnic Ltd Mustang Drive, Stafford, Staffordshire ST16 1GW

T: +44 (0)1785 218200 E: sales@altecnic.co.uk

Registered in England No: 02095101

altecnic.co.uk

AL 418 20-05-21

E & O.E

© Altecnic Limited. 2021

ALTECNIC™

altecnic