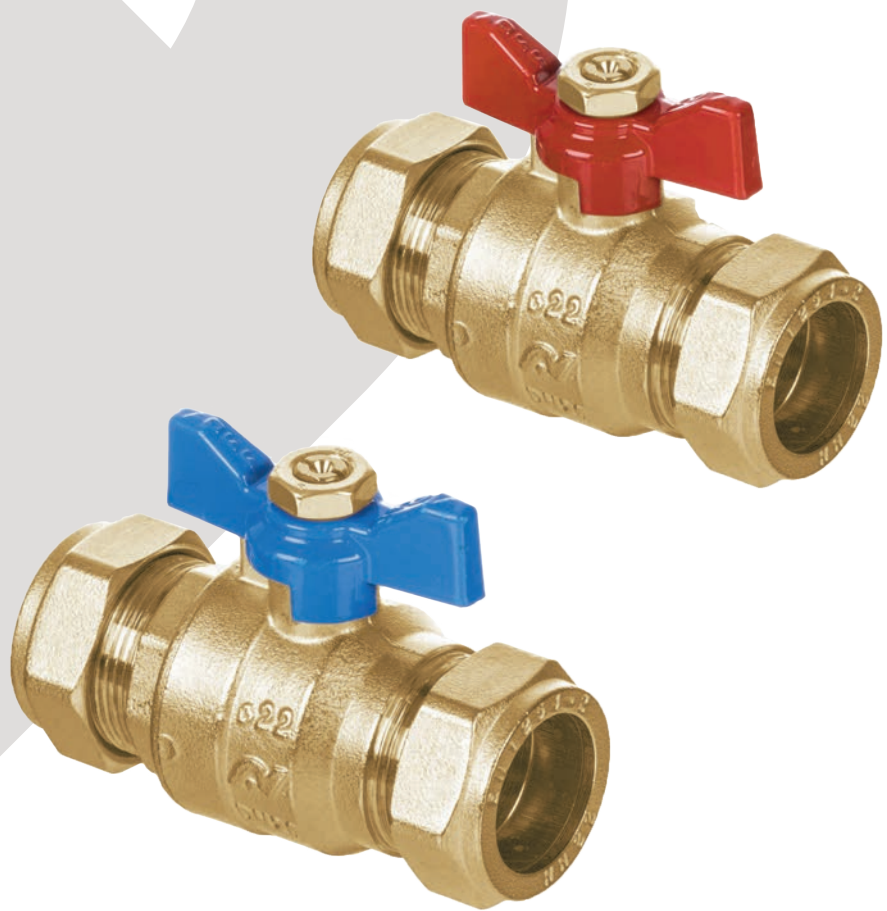


AI-383 dzt butterfly

ball valve with
compression ends



altecnic

AI-383 dzr butterfly ball valve with compression ends



Application

The Altecnic DZR low lead butterfly ball valves with compression ends are the ideal isolation valve, for use in copper pipe systems where space around the valves is limited.

The valves are ideal for use on potable water and domestic hot and cold water services and for providing isolation on many other applications including chilled water, air and non corrosive liquids.

Suitable for isolating individual outlets, or providing isolation for 'Y' strainers or control valves, should maintenance be required.

Design

The Altecnic AI-383 full bore DZR (dezincification resistant) low lead ball valves are butterfly operated through 90°, with bi-directional flow. Hard chrome plated ball for increased wear resistance.

Compact design, with PTFE body seats for reliable isolation.

Anti blow-out stem.

The valves are designed for high flow rates with minimum pressure drops.

Supplied with compression ends complying with BS EN 1252-2 for use with R250 (half hard) copper tube.

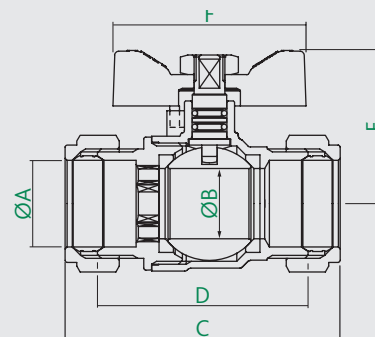
Valve are available with either a red or blue lever butterfly levers for visual indication of hot or cold service.

Construction Details

Component	Material	Grade
Body	DZR	BS EN 12165 CW625N
End connection	DZR	BS EN 12165 CW625N
Ball seat	PTFE	
Ball	Brass - chrome plated	BS EN 12164 CW617N
Stem	DZR	BS EN 12164 CW625N
Stem seals	EPDM	
Olive	Brass	BS EN 12449 CW508 LM
Compression nut	Brass	BS EN 12165 CW617N

Ref No	Ref No	Size	Connections
Blue Lever	Red Lever		
AI-383115	AI-383RB5	15mm	comp. x comp
AI-383222	AI-383RB2	22mm	comp. x comp
AI-383228	AI-383RB8	28mm	comp. x comp

Dimensions

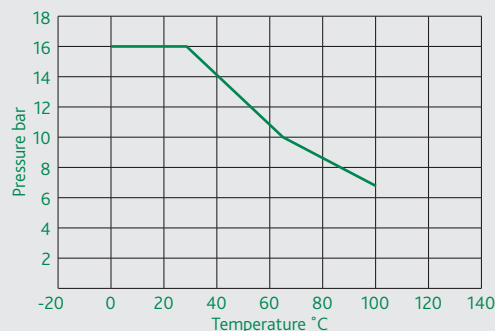


Size	A	B	C	D	E	F	kg
DN15	15	13.5	63	45.6	36.5	50	0.170
DN20	22	18	71.5	54.5	39	50	0.265
DN25	28	23.5	82.5	64.5	51.5	60	0.440

Technical Specification

Conforms to:	BS EN 13828
Pressure / Temperature Rating:	BS EN 1254-2
Max. Temperature at 16 bar:	30°C
Max. Temperature at 10 bar:	65°C
Max. Temperature at 6.9 bar:	100°C
WRAS approved product	
PED Directive classification Group 2 Liquids	SEP

Pressure - Temperature Diagram



Installation

The valves are easy to install with just two compression joints to make.

Accessories

Kits are available to change to a lockable lever with a red or blue lever and an extended stem kit to allow for insulation.

© Patents & Design Altecnic 2021

Altecnic Ltd retains all rights (including patents, designs and copyrights, trademarks and any other intellectual property rights) in relation to all information provided on or via the website, brochures or any other documents, including all texts, graphics and logos, contained on the website, in brochures or in any other documents published in the name of or on behalf of Altecnic Ltd in any form, without prior written consent of Altecnic Ltd.

Altecnic Ltd Mustang Drive, Stafford, Staffordshire ST16 1GW

T: +44 (0)1785 218200 E: sales@altecnic.co.uk

Registered in England No: 02095101

altecnic.co.uk

AL 397 15-09-21

E & O.E

© Altecnic Limited. 2021

ALTECNIC™

altecnic