

AI-383E dzt lever

ball valve with extension stem
and compression ends



altecnic

AI-383 dzr lever ball valve with extension stem and compression ends

Application

The Altecnic DZR low lead lever ball valves with extension stem and compression ends are the ideal isolation valve, for use in copper pipe systems.

The valves are ideal for use on potable water and domestic hot and cold water services and for providing isolation on many other applications including chilled water, air and non corrosive liquids.

The extension stem allows the valve to be lagged upto the lever.

Suitable for isolating individual outlets, or providing isolation for 'Y' strainers or control valves, should maintenance be required.

Design

The Altecnic AI-383E full bore DZR (dezincification resistant) low lead ball valves are lever operated through 90°, with bi-directional flow.

Hard chrome plated ball for increased wear resistance.

Compact design, with PTFE body seats for reliable isolation.

Anti blow-out stem.

Supplied with compression ends complying with BS EN 1252-2 for use with R250 (half hard) copper tube.

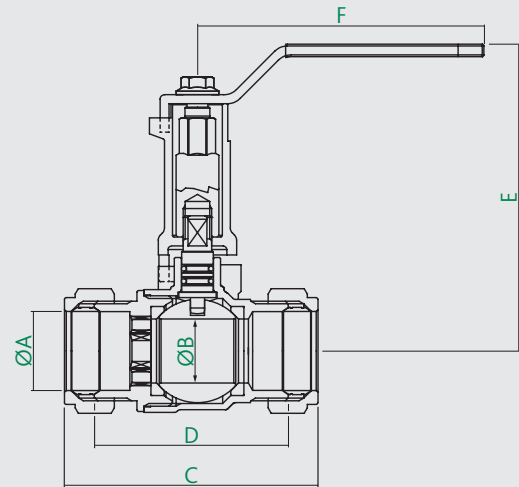
Valve are available with either a red or blue lever sleeve for visual indication of hot or cold service.

Construction Details

Component	Material	Grade
Body	DZR	BS EN 12165 CW625N
End connection	DZR	BS EN 12165 CW625N
Ball seat	PTFE	
Ball	Brass - chrome plated	BS EN 12164 CW617N
Stem	DZR	BS EN 12164 CW625N
Stem seals	EPDM	
Olive	Brass	BS EN 12449 CW508 LM
Compression nut	Brass	BS EN 12165 CW617N
Extension stem	Brass	BS EN 12164 CW617N

Ref No	Ref No	Size	Connections
Blue Lever	Red Lever		
AI-383B15E	AI-383R15E	15mm	comp. x comp
AI-383B22E	AI-383R22E	22mm	comp. x comp
AI-383B28E	AI-383R28E	28mm	comp. x comp

Dimensions

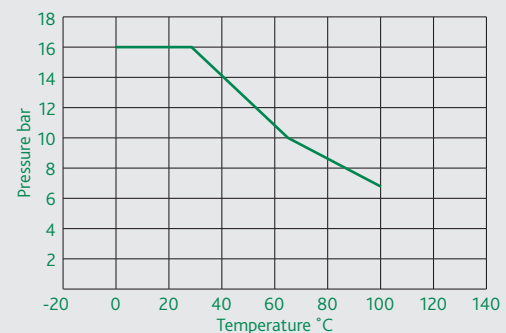


Size	A	B	C	D	E	F	kg
DN15	15	13.5	63	45.6	84	80	
DN20	22	18	71.5	54.5	86	80	
DN25	28	23.5	82.5	64.5	100	115	

Technical Specification

Conforms to:	BS EN 13959
Pressure / Temperature Rating:	BS EN 1254-2
Max. Temperature at 16 bar:	30°C
Max. Temperature at 10 bar:	65°C
Max. Temperature at 6.9 bar:	100°C
WRAS approved product	
PED Directive classification Group 2 Liquids	SEP

Pressure - Temperature Diagram



Installation

The valves are easy to install with just two compression joints to make.

© Patents & Design Altecnic 2021

Altecnic Ltd retains all rights (including patents, designs and copyrights, trademarks and any other intellectual property rights) in relation to all information provided on or via the website, brochures or any other documents, including all texts, graphics and logos, contained on the website, in brochures or in any other documents published in the name of or on behalf of Altecnic Ltd in any form, without prior written consent of Altecnic Ltd.

Altecnic Ltd Mustang Drive, Stafford, Staffordshire ST16 1GW

T: +44 (0)1785 218200 E: sales@altecnic.co.uk

Registered in England No: 02095101

altecnic.co.uk

AL 412 22-06-21

E & O.E

© Altecnic Limited. 2021

ALTECNIC™

altecnic