

# AI-856

m x f lever ball valve



# altecnic

# AI-856 m x f lever ball valve



## Application

The Altecnic AI-856 ball valve with male x female threaded ends and red lever sleeve is the ideal isolation valve, for use in steel pipe systems and with threaded adaptors for a variety of other pipe materials.

Suitable for isolating individual outlets, or providing isolation for 'Y' strainers or control valves, should maintenance be required.

In larger systems they can provide isolation on heating, the primary side of HWS and cold water services and many industrial applications including air and non corrosive liquids.

## Design

The Altecnic AI-856 brass ball valves are lever operated through 90°, with bi-directional flow.

Hard chrome plated ball for increased wear resistance.

Compact design, with PTFE body seats for reliable isolation

The valves are designed for high flow rates with minimum pressure drops.

Supplied with male x female parallel threaded ends complying with BS EN ISO 228-1

Valve are available with a red lever sleeve for visual indication of hot service.

## Construction Details

| Component           | Material              | Grade              |
|---------------------|-----------------------|--------------------|
| Body                | Brass - nickel plated | BS EN 12165 CW617N |
| End connection      | Brass - nickel plated | BS EN 12165 CW617N |
| Ball seat           | PTFE                  |                    |
| Ball                | Brass - chrome plated | BS EN 12164 CW617N |
| Stem                | Brass - nickel plated | BS EN 12164 CW614N |
| Stem retaining ring | Brass - nickel plated | BS EN 12164 CW614N |
| Gland packing       | PTFE                  |                    |

| Ref No    | Size | Connections        |
|-----------|------|--------------------|
| AI-856A04 | ½"   | m x f screwed iron |
| AI-856A05 | ¾"   | m x f screwed iron |
| AI-856A06 | 1"   | m x f screwed iron |
| AI-856A07 | 1¼"  | m x f screwed iron |
| AI-856A08 | 1½"  | m x f screwed iron |
| AI-856A09 | 2"   | m x f screwed iron |

© Patents & Design Altecnic 2020

Altecnic Ltd retains all rights (including patents, designs and copyrights, trademarks and any other intellectual property rights) in relation to all information provided on or via the website, brochures or any other documents, including all texts, graphics and logos, contained on the website, in brochures or in any other documents published in the name of or on behalf of Altecnic Ltd in any form, without prior written consent of Altecnic Ltd.

Altecnic Ltd Mustang Drive, Stafford, Staffordshire ST16 1GW

T: +44 (0)1785 218200 E: sales@altecnic.co.uk

Registered in England No: 2095101

altecnic.co.uk

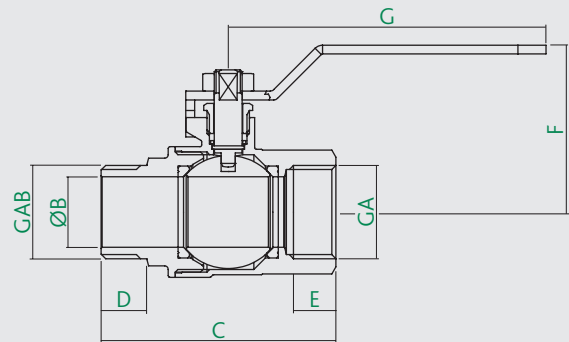
AL 391 17-11-20

E & O.E

© Altecnic Limited. 2020

ALTECNIC™

## Dimensions



| Size | A   | B  | C    | D  | E    | F    | G   | kg   |
|------|-----|----|------|----|------|------|-----|------|
| ½"   | ½"  | 15 | 56   | 11 | 10.5 | 46.5 | 90  | 0.20 |
| ¾"   | ¾"  | 20 | 66.5 | 13 | 12   | 50   | 90  | 0.28 |
| 1"   | 1"  | 25 | 78   | 15 | 13.5 | 62.5 | 115 | 0.50 |
| 1¼"  | 1¼" | 32 | 91   | 16 | 15.5 | 72   | 130 | 0.84 |
| 1½"  | 1½" | 40 | 102  | 17 | 15.5 | 78   | 130 | 1.05 |
| 2"   | 2"  | 50 | 119  | 18 | 19   | 91.5 | 150 | 1.66 |

## Technical Specification

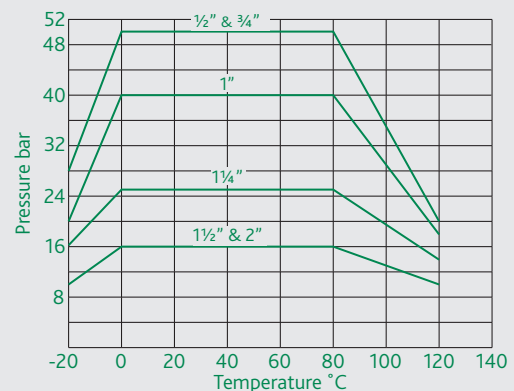
Conforms to: BS EN 13959

Max. Temperature: 120°C

Max. Pressure: Sizes ½" & ¾": 50 bar  
 Size 1": 40 bar  
 Size 1¼": 25 bar  
 Sizes 1½" & 2": 16 bar

PED Directive classification Group 2 Liquids SEP

## Pressure - Temperature Diagram



## Installation

The valves are easy to install with just two joints to make.