

IARF

dry dial, multi jet
water meter



altecnic

IARF dry dial, multi jet water meter



Design

The Altecnic IARF range of water meters for cold water applications offers a dependable and accurate reading of water consumption and is ideally suited for use in domestic premises and small commercial buildings.

IARF dry dial water meters are suitable for use with turbid water and in hard water areas, containing higher levels of calcium carbonate.

The white dials with black numerals and red indicators makes reading easier, even when light conditions are poor.

The IARF range has a protective hinged cover to protect the clear window when installed in concealed and dusty locations.

Product Code	Size	Connections	Type
GG-IARF15	1/2"	screwed iron	dry dial, multi jet
GG-IARF20	3/4"	screwed iron	dry dial, multi jet
GG-IARF25	1"	screwed iron	dry dial, multi jet
GG-IARF30	1 1/4"	screwed iron	dry dial, multi jet
GG-IARF40	1 1/2"	screwed iron	dry dial, multi jet

Technical Specification

Multi jet turbine water meter

Dry dial

Temperature class

T30 - T50

Measuring range:

R80

Dial range:

0 to 100,000 m³

U0-D0 -Straight pipe not required upstream or downstream of meter

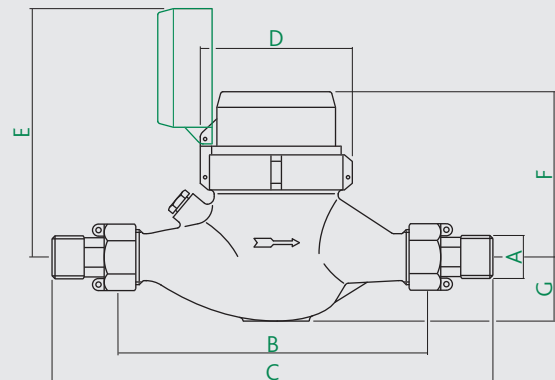
MID approved according to European Directive 2004/22/CE (module B + D)

In compliance with:

BS EN 14154
OIML R49/200

Size A		1/2"	3/4"	1"	1 1/4"	1 1/2"
Q ₃	Nom. continuous flow rate m ³ /h	2.5	4	6.3	10	16
Q ₄	Max flow rate for short period m ³ /h	3.12	5	7.87	12.5	20
Q ₂	Transitional flow rate with measuring range R80 [MPE ± 2%] l/h	50	80	126	200	320
Q ₁	Min. flow rate with measuring range R80 [MPE ± 5%] l/h	31.2	50	78.7	125	200
S	Accuracy at measuring range R80 l/h	8	10	19	19	40
ΔP	Pressure loss class bar	0.63	0.63	0.63	0.63	0.63
MAP	Max. working pressure bar	16	16	16	16	16

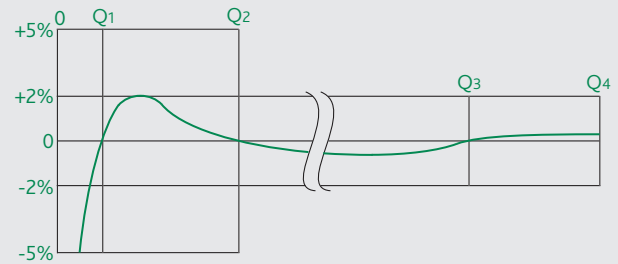
Dimensions



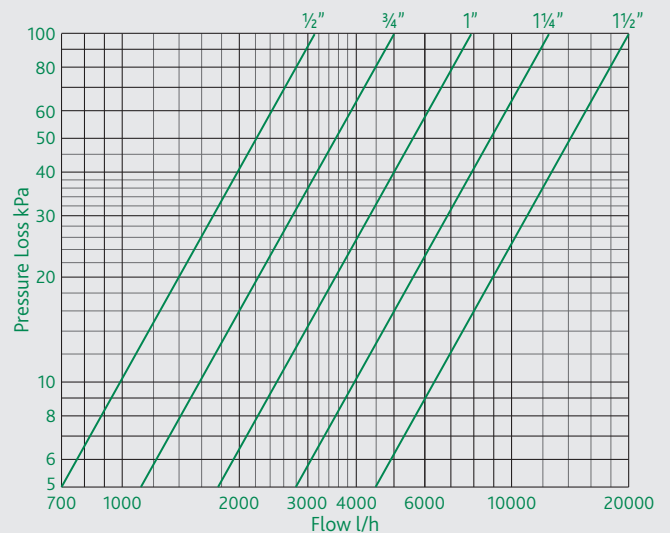
Size	A	B	C	D	E	F	G	kg*
G1/2B		145	210	96	150	95	35	1.50
G3/4B		190	290	96	150	95	35	1.55
G1B		260	360	100	160	105	40	2.75
G1 1/4B		260	360	100	160	105	40	2.80
G1 1/2B		300	440	136	150	95	60	6.10

*including end connections

Typical Accuracy Curve



Flow Chart -Q4



E & O.E

Altecnic Ltd Mustang Drive, Stafford, Staffordshire ST16 1GW

T: +44 (0)1785 218200 E: sales@altecnic.co.uk

Registered in England No: 2095101

altecnic.co.uk

AL 054 13-10-11