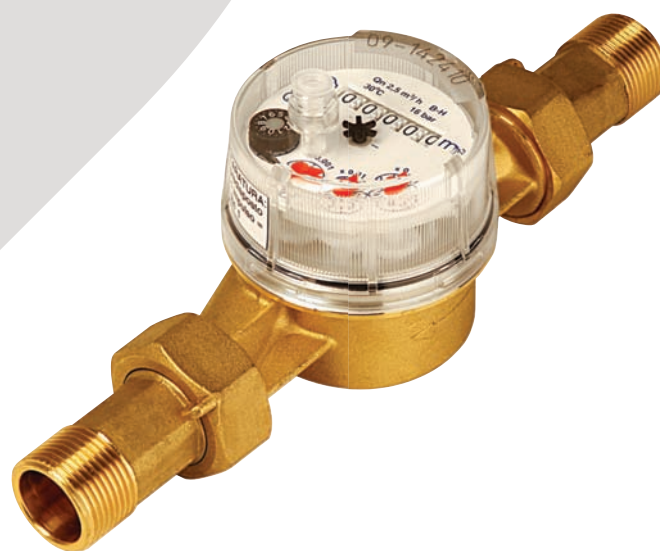


USLF

super dry dial, single jet
water meter



altecnic

USLF super dry dial, single jet water meter



Design

The Altecnic USLF super dry range of water meters for cold water applications offers a dependable and accurate reading of water consumption and is ideally suited for use in domestic premises and small commercial buildings.

USLF super dry dial water meters are suitable for use with turbid water and in hard water areas, containing higher levels of calcium carbonate.

The white dials with black numerals and red indicators makes reading easier, even when light conditions are poor.

Product Code	Size	Connections	Type
GG-USLF15P1	1/2"	screwed iron	super dry dial, single jet
GG-USLF20P1	3/4"	screwed iron	super dry dial, single jet

Technical Specification

Single jet turbine water meter

Super dry dial

Temperature class: T30 - T50

Measuring range: R80

Dial range: 0 to 100,000 m³

May be installed in any position

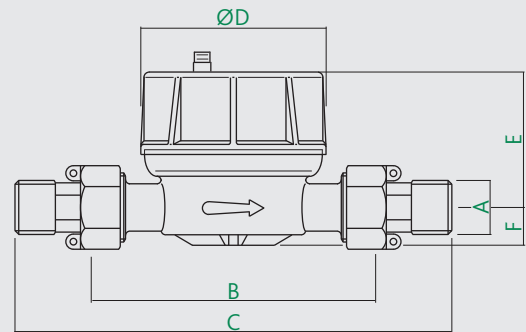
U0-D0 - Straight pipe not required upstream or downstream of meter

MID approved according to European Directive 2004/22/CE (module B + D)

In compliance with: BS EN 14154
OIML R49/200

Size A			1/2"	3/4"
Q ₃	Nom. continuous flow rate	m ³ /h	2.5	4
Q ₄	Max flow rate for short period	m ³ /h	3.12	5
Q ₂	Transitional flow rate with measuring range R80 [MPE ± 2%]	l/h	50	80
Q ₁	Min. flow rate with measuring range R80 [MPE ± 5%]	l/h	31.2	50
S	Accuracy at measuring range R80	l/h	7	15
ΔP	Pressure loss class	bar	0.63	0.63
MAP	Max. working pressure	bar	16	16

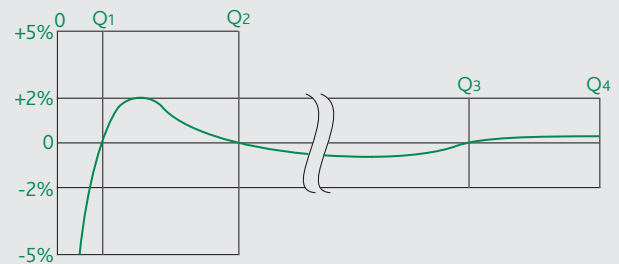
Dimensions



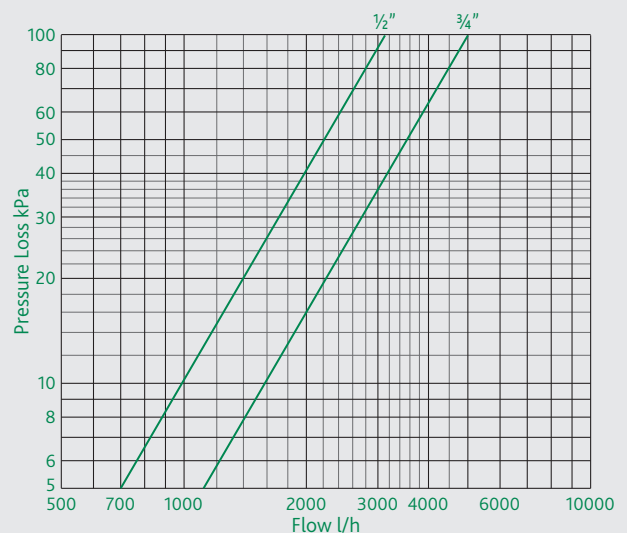
Size A	B	C	D	E	F	kg*
G1/2B	110	190	72	70	16	0.66
G3/4B	130	228	72	74	19	0.84

* including end connections

Typical Accuracy Curve



Flow Chart - Q₄



E & O.E

Altecnic Ltd Mustang Drive, Stafford, Staffordshire ST16 1GW

T: +44 (0)1785 218200 E: sales@altecnic.co.uk

Registered in England No: 2095101

altecnic.co.uk

AL 056 13-10-11

altecnic