

# 5211

mixcal III thermostatic  
mixing valves



CERTIFICATION MARK

**altecnic**  
CALEFFI group

# 5211 mixcal III thermostatic mixing valve



## Application

Thermostatic mixing valves are used to maintain the domestic hot water supplied to the user at a constant and safe temperature, when variations in the hot and cold water supply conditions and draw off flow rates occur.

The mixcal III range has been designed primarily for single user outlets including wash basins, showers, baths and bidets but is also suitable for multiple outlet use.

## Operating Principle

The controlling element of the mixing valve is a temperature sensor fully immersed in the mixed water outlet port, which expands or contracts, continually maintaining the correct proportion of hot and cold water entering the valve.

Even when the supply pressures drop, due to draw off of hot and cold water by other users on the same system, or variations in the incoming water temperatures, the mixing valve automatically responds and maintains the mixed outlet water at the required temperature.

## 5211 Mixcal III

Mixcal III failsafe thermostatic mixing valves are suitable for use in domestic housing and commercial building for single user outlets including wash basins, showers, baths and bidets but are also suitable for multiple outlet use.

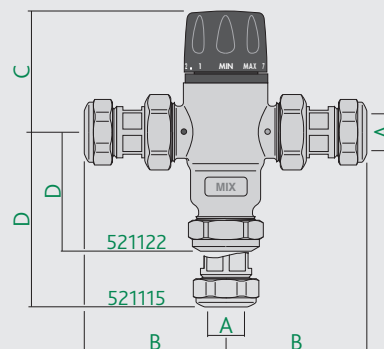
The failsafe design shuts off the mixed water flow automatically in the event of disruption in the hot or cold water supply to the valve.

## Construction Details

Component	Material	Grade
Body	DZR - chrome plated	BS EN 12165 CW602N
Controlling Element	PPO - thermoplastic	
Springs	Stainless steel	
Seals	EPDM	

Product Code	Size	Connection	Type
521115	15 mm	compression	Cu x Cu x Cu
521122	22 mm	compression	Cu x Cu x Cu

## Dimensions

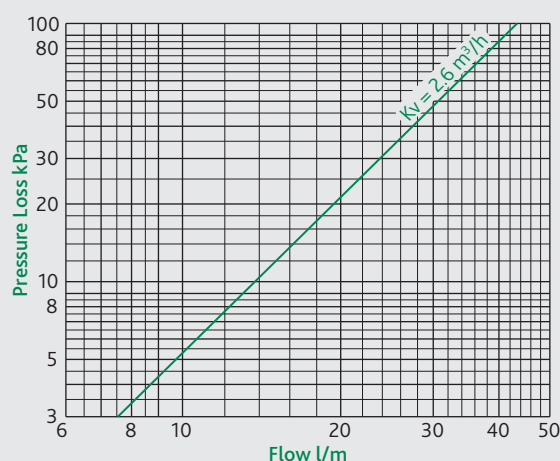


Prod Code	A	B	C	D	kg
521115	Ø15	79	65.5	98	1.30
521122	Ø22	80.5	65.5	66.5	1.42

## Technical Data

Max. working pressure:	14 bar - Static 5 bar - Dynamic
Max. inlet temperature:	85°C
Max. inlet pressure ratio (H/C or C/H):	2:1
Accuracy:	±2°C
Setting Range:	30 to 65°C
Min. temperature difference between inlet hot water and outlet mixed water:	15°C
Min. flow rate for stable temperature:	5 l/m
Compression ends:	BS EN 1254-2
Complete with check valve and strainer in the inlet tailpieces.	
MX valves complete with isolation valve, check valve, filter and test port also available.	

## Kv Value & Flowrate



Altecnic Ltd Mustang Drive, Stafford, Staffordshire ST16 1GW

T: +44 (0)1785 218200 E: sales@altecnic.co.uk

Registered in England No: 2095101

altecnic.co.uk

AL 017 22-12-20

E & O.E

© Altecnic Limited. 2020

ALTECNIC™

**altecnic**  
CALEFFI group