

**Cold Water Isolation Test Continued**

**Acceptance Criteria for all other outlets:**

The volume collected in the first period of 5s shall not exceed 200ml.

The volume collected in the second period of 30s shall not exceed an additional 300 ml.

After restoration of the cold water supply (30s) the mixed water outlet temperature shall not differ by more than 2°C from the initial set mixed water temperature.

**In Service Testing**

The Art 5211 thermostatic mixing valves should be tested against the original set temperature results once a year. It is a requirement that the valves shall be verified against the original set temperature results once a year.

Whilst this is a recommendation in user / owner domestic dwellings, a duty of care obligation should be considered in commercial bathroom or subletting situations.

When in-service testing is undertaken the following performance checks shall be carried out.

When commissioning/testing is due the following performance checks shall be carried out. When measuring any mixed water outlet temperature reading the sensing part of the thermometer probe must be fully submerged in the water. When testing is due the following performance checks shall be carried out;

- 1 Measure the mixed water temperature at the outlet.
- 2 Carry out the cold water supply isolation test by isolating the cold water supply to the TMV, wait for five seconds if water is still flowing check that the temperature is below 46°C.
- 3 If there is no significant change to the set outlet temperature ( $\pm 2^\circ\text{C}$  or less change from the original settings) and the fail-safe shut off is functioning, then the valve is working correctly and no further service work is required.
- 4 If the performance falls outside of that acceptance criteria then service or adjust the valve in line with these instructions. Temperature readings should be taken at the normal flow rate after allowing for the system to stabilise.
- 5 If the Art 5211 thermostatic mixing valves has been adjusted or serviced it must be re-commissioned and re-tested in accordance with these instructions.
- 6 Commissioning, maintenance and in-service test records must be kept for public buildings in accordance with any water safety plan.

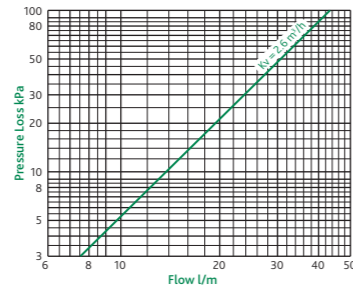
**Problem Solving**

For resolving on site problems see page 8.

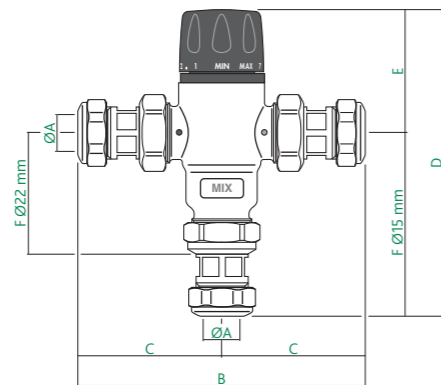
**Spares**

For component identification see page 9.

**Flowrates**



**Dimensions**



Ref No	ØA	B	C	D	E	F	kg
521115	Ø15	158	79	163.5	65.5	98	1.30
521122	Ø22	161	80.5	132	65.5	66.5	1.42

**Problem Solving**

The following details are supplied for on site queries, should you require any further assistance contact our Technical Department.

- 1 Hot water at the cold tap**
  - Operation of the insert check valves is hindered, check the valve is seated correctly.
  - Check Valves not fitted.
  - Unbalanced hot/cold supply pressure.
- 2 Fluctuating mixed water temperature**
  - Erratic supply temperatures at the inlets of the valve.
  - Starvation of the water supplied at the inlets of the valve.
  - Incorrect commissioning of the valve.
- 3 Erratic flow**
  - Insufficient water supplies.
  - Fluctuations in the supply pressures/temperatures.
  - Adverse effect created by other draw off points on the system.
- 4 No flow/reduced flow from valve**
  - In line filters are blocked.
  - Insufficient supply pressure.
  - Debris obstructing valve operation.
  - Valve requires servicing (Servicing kits available on request).
- 5 Valve does not fail safe when tested**
  - Installation not in accordance with our recommendations.
  - The minimum temperature differential not achieved.
  - Internal mechanism hindered by debris.

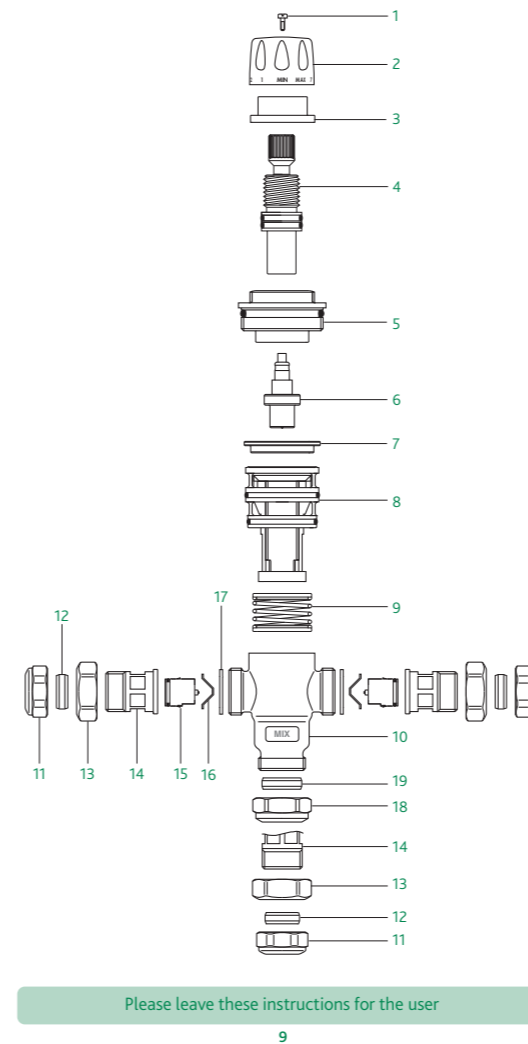
Full and detailed instructions are supplied with service kits and are available on request.

**Spares**

A full range of spares are available for this product from Altecnic.

Item	Component	Item	Component
1	Retaining screw	11	Compression nut
2	Control knob	12	Olive
3	Shroud	13	Union nut
4	Stem inc. 'O' rings	14	Inlet tail housing
5	Head assembly inc. 'O' ring	15	Check valve cartridge
6	Thermostatic element	16	Filter
7	Shuttle seat	17	Gasket
8	Shuttle inc. 'O' rings	18	22mm compression nut
9	Spring	19	22mm olive
10	Body		

**Components**



Please leave these instructions for the user

We cannot accept any responsibility should it be found that in any respect the information is inaccurate or incomplete or becomes so as a result of further developments or otherwise. In this procedure document we have endeavoured to make the information as accurate as possible.

Altecnic Ltd Mustang Drive, Stafford, Staffordshire ST16 1GW

T: +44 (0)1785 218200 E: sales@altecnic.co.uk

Registered in England No: 2095101

altecnic.co.uk

IOM 002 23-12-20

E & O.E

© Altecnic Limited. 2020

ALTECNIC™



Installation & Maintenance Instructions

## Art 5211

### Introduction

The Altecnic Art 5211 thermostatic mixing valves have been specifically designed and manufactured to meet the requirements of able bodied users in domestic properties or other premises having domestic type appliances.

### Technical Specification

	High Pressure	Low Pressure
Max.Static Pressure	10 bar	10 bar
Flow Pressure, Hot & Cold	0.5 - 5 bar	0.1 - 1.0 bar
Hot Supply Temperature	55°C - 65°C	55°C - 65°C
Cold Supply Temperature	≤25°C	≤25°C
Temperature Stability	±2°C	±2°C
Min. Temp Differential (Mix to Hot) for fail-safe	10°C	10°C
Max. Pressure Inlet Differential	5:1	5:1

- NOTE: i) To ensure and maintain water quality system water supply temperature should be maintained within certain criteria. This criteria is laid out in a legal obligation document HSG247
- ii) HSG247 part 2, Cold water should be stored at and distributed at less than 20°C. Hot water should be stored at least at 60°C and be delivered at 50°C in less than 1 minute of the outlet device being activated.
- NB:** If the outlet device is a mixing valve, the temperature of the hot water 50°C, is measured at the hot water supply inlet to the mixing valve and not the mixing valve's outlet.

### Approvals

WRAS Scheme Approval Number	Details Available on Request
-----------------------------	------------------------------

### Dimensions

For dimensions see pages 8.

### Flowrates

For Kv values and flowrate - pressure loss chart see page 8.

### Application

The Art 5211 thermostatic mixing valves are suitable for the following applications;

NOTE: \*Applies to 22mm model only

This product is designed for the following designations

	High Pressure (HP 0.5 to 5 bar)	Low Pressure (LP 0.1 to 1 bar)
Wash Hand Basin (W)	HP-W	LP -W
Shower (S)	HP-S	LP-S
Bidet (B)	HP-B	LP-B
Tub/Bath Fill*	HP-T	22mm model only

If a water supply is fed by gravity then the supply pressure should be verified to ensure the conditions of use are appropriate for the valve. The installation of thermostatic mixing valves must comply with the requirements of the Water Supply (Water Fittings) Regulations 1999.

Valves approved for designation of use LP Tub applications that only achieve the minimum flow rate requirement at a supply pressure of 0.2 bar must indicate that the minimum supply pressure for LP Tub application is 0.2 bar.

### Recommended Outlet Temperatures

The following set maximum mixed water outlet temperatures are recommended for use in all premises and then verified by undertaking the cold water isolation test.

Application	Recommended Set Mixed Water Temp.
Wash Hand Basin	41°C
Shower	41°C
Bidet	38°C
Bath Fill	44°C

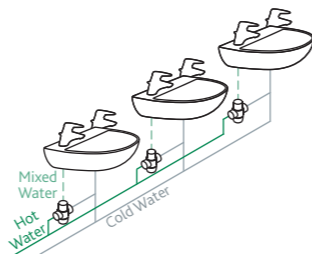
- NOTE: i) The maximum mixed water outlet temperature being delivered during normal use can deviate by 2°C above the recommended set outlet temperatures detailed in the table.
- ii) The tub/bath fill temperature in the table is not a safe bathing temperature for adults or children, it is a value that allows for heat loss during tub/bath filling. The British Burns Association recommends 37 to 37.5°C as a comfortable bathing temperature for children. In premises covered by the Care Standards Act 2000, the maximum water outlet temperature is 43°C.
- iii) All temperature measuring equipment should be calibrated and appropriate for measurement.

### Installation

**IMPORTANT:** - The following instructions must be read prior to the installation of the Art 5211 thermostatic mixing valves, the installer should also be aware of their responsibility and duty of care to ensure that all aspects of the installation comply with all current regulations and legislation.

It has been brought to our attention that flushing through water systems using certain chemicals may wholly or partially remove the lubricant from the internal workings of the valve, which may adversely affect its performance. We recommend that following flushing of the system with chemicals; valves are checked for correct operations.

- The installation of thermostatic mixing valves must comply with the requirements of the Water Supply (Water Fittings) Regulations' 1999 and Scottish Water Byelaws.
- The Thermostatic mixing valve must be installed in such a location that maintenance of the TMV using its isolating valves and that the commissioning and testing of the TMV can be undertaken.
- If isolation valves are not provided by the manufacturer, the fitting of isolation valves is required as close as is practicable to the water supply inlets of the thermostatic mixing valve.
- If strainers are not provided by the manufacturer, the fitting of strainers is recommended as close as is practicable to the water supply inlets of the thermostatic mixing valve.
- The temperature differential between the hot supply temperature and the maximum mixed water temperature is appropriate for the valve.
- Backflow prevention devices may be required to prevent contamination of the water supply from the downstream risk, see the Water Supply (Water Fittings) Regulations 1999, and Scottish Water Byelaws and the manufacturer's instructions.



- 1 It is essential that before installing any Art 5211 valves ensure that the supply conditions of the system to which the valve is intended to be fitted are checked to confirm compliance with the parameters as quoted within the Technical Specification and conditions on which the approval is granted i.e. verify supply temperatures, supply pressures, risk assessment.

### Installation Continued

- 2 Consideration must be made for the possibility of multiple/simultaneous demands being made on the supply system whilst the Art 5211 valves are in use, all practical precautions must be made to ensure that the valve is not affected. Failure to make provision within the pipe sizing etc. will affect the performance of the valve.
- 3 The supply system to which the Art 5211 valves are to be installed into must be thoroughly flushed and cleaned to remove any debris, which may have accumulated during the installation. Failure to remove any debris will affect the performance and the manufacturer's warranty of the product. In areas that are subject to aggressive water, provision must be made to treat the water supply prior to the supply entering any Altecnic product.
- 4 Art 5211 valves have been designed to ensure that the valve can be installed in any position whether vertical or horizontal, it can be surface mounted or within a supply duct. It is essential that the access to the valve is not obstructed for any future maintenance that may be required to the valve or associated fittings.
- 5 We recommend that the Art 5211 thermostatic mixing valves be installed as close as practically possible to the outlet, which it is serving. In this situation attention must be paid to the maximum distance of pipe work from the mixed water outlet of the valve to any terminal fitting.
- 6 Current guidelines recommend a maximum distance of 2 metres from the outlet of any mixing valve to the furthest terminal fitting/outlet to which the mixing valve is to serve.
- 7 The hot and cold water supplies must be connected to the valve strictly in accordance with the indications on the body of the valve i.e. hot water supply to the hot port of the valve.
- 8 In a situation where one or both of the water supplies are excessive, it is possible to fit a pressure reducing valve to reduce the pressure(s) to within the limits as quoted previously.
- 9 Any thermostatic mixing valve must be fitted with a back flow prevention device, such as check valves to prevent the cross contamination of supplies. The Art 5211 valves are complete with integral insert check valves and strainers.
- 10 Y Pattern strainers and full-bore isolation valves must be installed in conjunction with the Art 5211 fail-safe thermostatic mixing valves as close as is practically possible to the location of the valve. Alternatively the use of the thermostatic mixing valve with the MX end pieces removes the need for additional filters and isolation valves.
- 11 It is essential that the Art 5211 thermostatic mixing valves should not be installed in situations where there is a possibility of the valve being deprived of water or where demands for water are greater than the actual stored supplies.
- 12 To ensure that the performance levels of the Art 5211 thermostatic mixing valves are maintained (in the event of cold water failure), the temperature of the hot water supply at the point of entry to the valves must be a minimum of 10°C above the commissioned mixed water discharge temperature.
- 13 The Art 5211 thermostatic mixing valves must not be subject to any extreme temperature variations either during the installation or under normal operating conditions.

### Method of Adjusting the Mixed Water Outlet Temperature

**IMPORTANT:** - The following instructions must be read and understood prior to the adjustment of the mixed water outlet temperature and this action MUST only be carried out by a suitably qualified person.

- 1 Remove the cap from the valve.
- 2 Remove the temperature locking ring from the spindle using a suitably sized spanner.
- 3 Open the outlet to which the mixing valve is supplying and establish a stable flow and temperature.
- 4 Using a calibrated thermometer place the sensing part of the thermometer probe under the flowing water.
- 5 Using a suitably sized spanner turn the temperature adjustment spindle anticlockwise to increase the mixed water temperature or clockwise to reduce the mixed water temperature – at all times ensuring the probe of the thermometer is under the flowing water.
- 6 Once the desired temperature is reached – replace the temperature locking ring on the spindle and re fit the cap of the valve.
- 7 The temperature at the terminal fitting must never exceed 46°C.

### Commissioning

**IMPORTANT:** - The following instructions must be read and understood prior to the commissioning of the Art 5211 fail-safe thermostatic mixing valves. If under any circumstances there are aspects to the installation / system which do not comply with the specification laid down, the valve **MUST NOT** be put into operation until the system / installation complies with our specification.

- 1 Before commissioning the thermostatic mixing valve check the following;
  - The supply pressures are within the valves operating range.
  - The supply temperatures are within the valves operating range
  - The temperature differential is appropriate for the supply conditions
  - Isolating valves are fitted, accessible and open
  - Strainers are fitted and clean
  - Appropriate Backflow prevention devices are fitted
  - The system has been thoroughly cleaned and free from any debris.

Providing that all of these conditions are met, please follow the following steps to commission this product.

- 2 The commissioning of the temperatures must be carried out using a suitably calibrated thermometer, preferably a digital thermometer, the sensing part of the thermometer probe must be fully submerged in the water when testing.
- 3 Each valve must be commissioned taking into consideration any fluctuations, which may occur within the system due to simultaneous demands. It is advisable that any outlets which are connected to the same supply as the mixing valve is connected to, open during the setting of the mixed water temperature. During commissioning it is advisable to ensure that the water temperatures are established before any attempt to commission.
- 4 Once the supply temperatures are stable and the normal operating conditions are established, the valve can be commissioned, – the temperature setting can be adjusted by removing the cap and temperature locking ring from the valve body (see section method of adjusting mixed water temperature). We suggest that the following sequence is followed when commissioning the valve;

### Commissioning Continued

- 4.1 Set the mixed water temperature to the required temperature, the temperature at the terminal fitting must never exceed 46°C.
  - 4.2 Measure and record the temperature of the hot and cold water supplies at the connection to the valve.
  - 4.3 Measure and record the temperature of the water discharging from the valve.
  - 4.4 Isolate the cold water supply to the valve and monitor the mixed water temperature.
  - 4.5 Measure and record the maximum mixed water temperature and the final temperature. The final temperature found during the test should not exceed the values quoted.
  - 4.6 Record all the equipment used during the commissioning.
  - 4.7 The mixed water temperature at the terminal fitting must never exceed 2°C above set temperature.
  - 4.8 The maximum mixed water supply temperature at the terminal fitting should not exceed 46°C.
- 5 When satisfied that the mixed water outlet temperature is correct, check that it is consistently repeatable by turning the mixing valve on and off a number of times and rechecking the mixed water temperature. If the mixed water outlet is stable carry out the cold water isolation test.
  - 6 Once the desired temperature is established remove the cap and secure the temperature spindle with the locking ring and replace the cap into its original position to prevent tampering by unauthorized persons. Ensure that the application, in which the valve will be used, is appropriate for the approved designation.
  - 7 The above information must be recorded and updated on every occasion when any work is carried out on the valve.

### Cold Water Isolation Test

The purpose of the cold water isolation test is to ensure that the thermal performance of the TMV is adequate at the time of installation and annually thereafter.

#### Procedure:

- 1 Operate the TMV and achieve a normal flowrate for the application and record the initial mixed water outlet temperature.
- 2 Isolate the cold water supply to the valve.
- 3 Collect the water discharged from the TMV outlet for 5 seconds.
- 4 Continue to collect the water discharged from the TMV outlet in a second vessel for a further period of 30 seconds.
- 5 Re-open (restore) the cold water supply and after 30 seconds measure the mixed water temperature.

#### Acceptance Criteria for Tub/Bath:

The volume collected in the first period of 5s shall not exceed 400 ml.

The volume collected in the second period of 30s shall not exceed an additional 500 ml.

After restoration of the cold water supply (30s) the mixed water outlet temperature shall not differ by more than 2°C from the initial set mixed water temperature.