

# AT89051

Vandal Resistant Shower  
Head



SILFRA

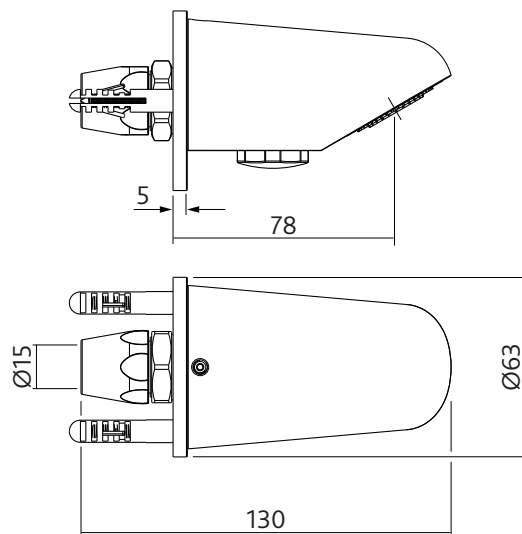
**altecnic**  
CALEFFI group

# Vandal Resistant Shower Head

AT89051



## Dimensions



## Installation

The vandal resistant shower head can be configured for a concealed or exposed supply and is ideal for communal facilities in schools, sports and leisure facilities and other areas where there is a risk of misuse.

The AT89051 shower head can be used with the QK15051 concealed or the QK16551 exposed shower valves or via a thermostatic mixing valve.

## Technical Specification

Recommended operational pressure:	1 to 5 bar
Maximum test pressure:	16 bar
Maximum hot water temperature:	70°C
Recommended shower temperature:	41°C
Maximum shower temperature:	43°C
Thermal disinfection temperature:	Maximum 70°C for 4 min

© Patents & Design Altecnic 2025

Altecnic Ltd retains all rights (including patents, designs and copyrights, trademarks and any other intellectual property rights) in relation to all information provided on or via the website, brochures or any other documents, including all texts, graphics and logos, contained on the website, in brochures or in any other documents published in the name of or on behalf of Altecnic Ltd in any form, without prior written consent of Altecnic Ltd.

Altecnic Ltd Francesco House, Staples Close, Stafford ST16 1WQ

T: +44 (0)1785 218200 E: sales@altecnic.co.uk

Registered in England No: 02095101

[altecnic.co.uk](http://altecnic.co.uk)

AL 381 04-03-25

E & O.E

© Altecnic Limited. 2025

ALTECNIC™

**altecnic**  
CALEFFI group