

CRIQT33051ATI & CRIQT33851ATI

Electronic Tap



SILFRA

altecnic
CALEFFI group

Electronic Basin Tap

CRIQT33051ATI - Battery Operated
CRIQT33851ATI - Mains Operated



Introduction

The Altecnic electronic basin tap with infra-red sensor is ideal for many applications in public toilets or in private bathrooms.

This tap has a single feed for mixed water and therefore should be used in conjunction with a thermostatic mixing valve.

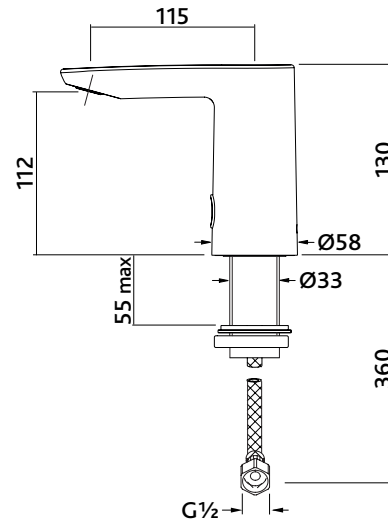
The taps come complete with;

- Integral solenoid valve
- Battery box or a mains transformer
- Stainless steel flexible hose with water hammer protection and non-return valve
- Flow straightener
- CRI QT 973 Solenoid valve wrench

Technical Specification

Working pressure:	0.5 to 5 bar
Working temperature range:	5 to 60°C
Activation distance:	120mm
Flow time:	30 sec
Flow at 3 bar pressure:	5 l/min
Battery operate:	CC6V Cr-P2 lithium 6V
Transformer:	230 V, 50 Hz AC

Dimensions



Power Supplies



Battery and battery box

Transformer

© Patents & Design Altecnic 2025

Altecnic Ltd retains all rights (including patents, designs and copyrights, trademarks and any other intellectual property rights) in relation to all information provided on or via the website, brochures or any other documents, including all texts, graphics and logos, contained on the website, in brochures or in any other documents published in the name of or on behalf of Altecnic Ltd in any form, without prior written consent of Altecnic Ltd.

Altecnic Ltd Francesco House, Staples Close, Stafford ST16 1WQ

T: +44 (0)1785 218200 E: sales@altecnic.co.uk

Registered in England No: 02095101

altecnic.co.uk

AL 394 03-03-25

E & O.E

© Altecnic Limited. 2025

ALTECNIC™

altecnic
CALEFFI group