

Q425251

Non-Concussive Basin
Mixer Tap



SILFRA

altecnic
CALEFFI group

Non-Concussive Basin Mixer Tap

Q425251 - Single Tap



Introduction

The wash basin push tap with temperature regulation is equipped with a cartridge that allows simple control of timing and flow rate.

Timing and flow rate can be progressively adjusted using an Allen key without removing the cartridge from the tap body. This means that the tap is always perfectly regulated.

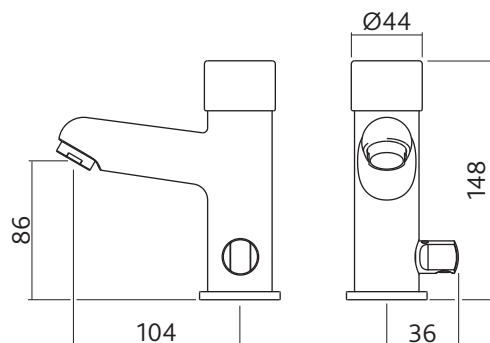
Installation

It is recommended that a strainer or filter is installed upstream of the tap to prevent debris entering valve, causing damage or leakage.

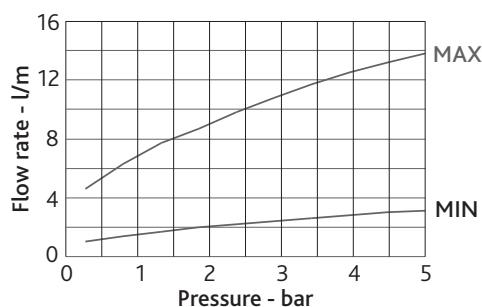
Technical Specification

Recommended operational pressure:	1 to 5 bar
Maximum static pressure:	10 bar
Minimum static pressure:	0.5 bar
Maximum test pressure:	16 bar
Maximum hot water temperature:	80°C
Working temperature range:	50 to 60°C
Maximum pressure difference between hot and cold water:	1.5 bar
It is recommended to use a pressure reducing valve if the static pressure exceeds:	3 bar
Time and flow rate are shown on the chart.	

Dimensions



Flow Chart

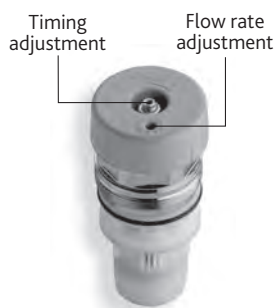


Temperature Adjustment



The temperature can be adjusted by rotating the knob anticlockwise to reduce the temperature and clockwise to increase it.

Flow Rate and Timing Adjustment



It is possible to progressively vary the timing and flow rate without removing the cartridge from the tap body using a 2mm hexagonal wrench.

© Patents & Design Altecnic 2025

Altecnic Ltd retains all rights (including patents, designs and copyrights, trademarks and any other intellectual property rights) in relation to all information provided on or via the website, brochures or any other documents, including all texts, graphics and logos, contained on the website, in brochures or in any other documents published in the name of or on behalf of Altecnic Ltd in any form, without prior written consent of Altecnic Ltd.

Altecnic Ltd Francesco House, Staples Close, Stafford ST16 1WQ

T: +44 (0)1785 218200 E: sales@altecnic.co.uk

Registered in England No: 02095101

altecnic.co.uk

AL 378 04-03-25

E & O.E

© Altecnic Limited. 2025

ALTECNIC™

altecnic
CALEFFI group