

QL23051

Non-Concussive Lever Tap



SILFRA

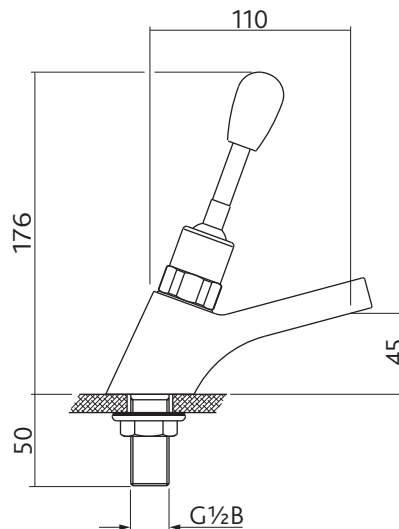
altecnic
CALEFFI group

Non-Concussive Lever Tap

QL23051 - Single Tap



Dimensions



Installation

The tap is designed for basin mounting and can be used with hot, cold or mixed water.

It is recommended that a strainer or filter is installed upstream of the tap to prevent debris entering valve, causing damage or leakage.

Technical Specification

Recommended operational pressure:	1 to 5 bar
Maximum test pressure:	5 bar
Maximum hot water temperature:	80°C
Working temperature range:	50 to 60°C

Operation

By moving the lever using a hand, forearm or elbow in any direction operates the tap and by releasing the lever the tap is turned off.

© Patents & Design Altecnic 2025

Altecnic Ltd retains all rights (including patents, designs and copyrights, trademarks and any other intellectual property rights) in relation to all information provided on or via the website, brochures or any other documents, including all texts, graphics and logos, contained on the website, in brochures or in any other documents published in the name of or on behalf of Altecnic Ltd in any form, without prior written consent of Altecnic Ltd.

Altecnic Ltd Francesco House, Staples Close, Stafford ST16 1WQ

T: +44 (0)1785 218200 E: sales@altecnic.co.uk

Registered in England No: 02095101

altecnic.co.uk

AL 379 04-03-25

E & O.E

© Altecnic Limited. 2025

ALTECNIC™

altecnic
CALEFFI group