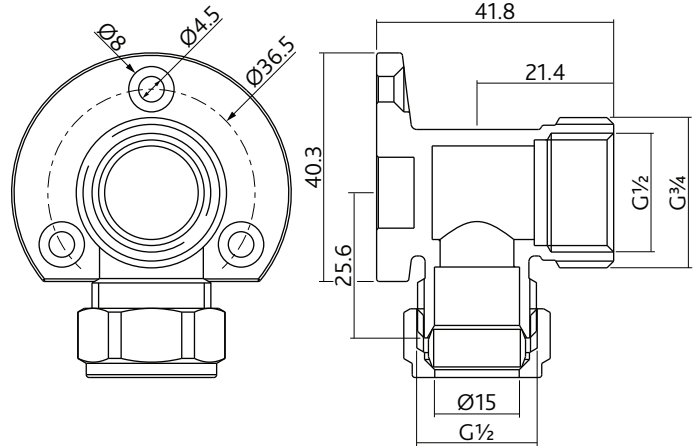
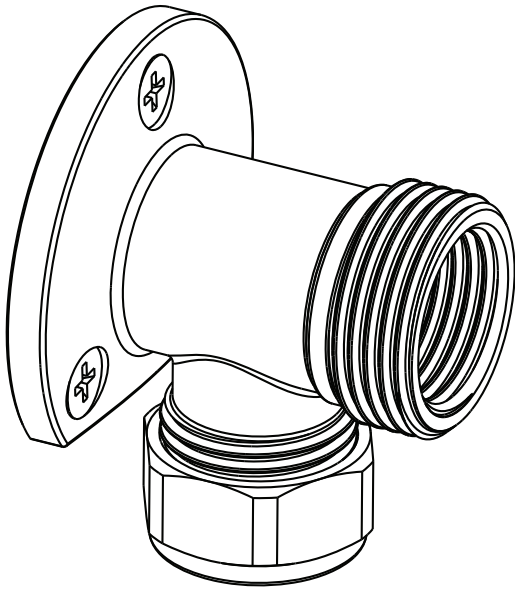


# Wall plate elbow shower fitting kit



All dimensions in mm unless otherwise stated

## Description

The wall plate elbow is designed for surface mounting on a tiled wall or water resistant surface as part of a cavity or solid wall.

Its purpose is to provide a secure fixing for an overhead arm and shower head or other similar water outlets.

The water connection is suitable for an external supply from a surface mounted shower valve.

## Technical Specification

Brass body and compression nut

Chrome finish on all external surfaces.

The inlet connection to the elbow is 15 mm compression to BS EN 1254, for use with half hard R250 copper tube to BS EN 1057, and the outlet connections are 3/4" external and 1/2" internal pipe threads to BS EN ISO 228.

## Installation

Carefully follow these instructions and ensure that the installation conforms to the Water Regulations.

Check that all the components are present before commencing installation.

The wall plate elbow should ideally be mounted utilising any support structure in the cavity wall or if unavailable it is recommended that a plywood pad is incorporated into the structure to support the shower valve.

## Installation Continued

Use the plastic wall plugs supplied which are suitable for securing the elbow to a solid wall.

To secure to plaster board suitable wall plugs must be used (not supplied) but are readily available at DIY stores.

Alternatively if securing to a support structure or plywood pad suitable screws must be used (not supplied).

The wall plate elbow has an external supply pipe connection therefore it can be mounted on a finished tiled wall.

To fix to a solid wall using the wall plate as a template mark the position of the 3 fixing holes as shown, ensuring the elbow is level and the supply connection is in the right direction

Drill 3 holes for the fixing screws and fit the 3 plastic plugs.

If drilling into ceramic tiles use a ceramic bit.

To avoid cracking the tile ensure the wall plugs are pushed all the way behind the ceramic tile.

## Aftercare

To maintain the appearance of the wall plate elbow periodically it should be cleaned with a soft damp cloth and a mild detergent before rinsing.

© Patents & Design Altecnic 2019

Altecnic Ltd retains all rights (including patents, designs and copyrights, trademarks and any other intellectual property rights) in relation to all information provided on or via the website, brochures or any other documents, including all texts, graphics and logos, contained on the website, in brochures or in any other documents published in the name of or on behalf of Altecnic Ltd in any form, without prior written consent of Altecnic Ltd.

Altecnic Ltd Mustang Drive, Stafford, Staffordshire ST16 1GW

T: +44 (0)1785 218200 E: sales@altecnic.co.uk

Registered in England No: 2095101

altecnic.co.uk

IOM 144 18-07-19

E & O.E

© Altecnic Limited. 2019

ALTECNIC™

altecnic